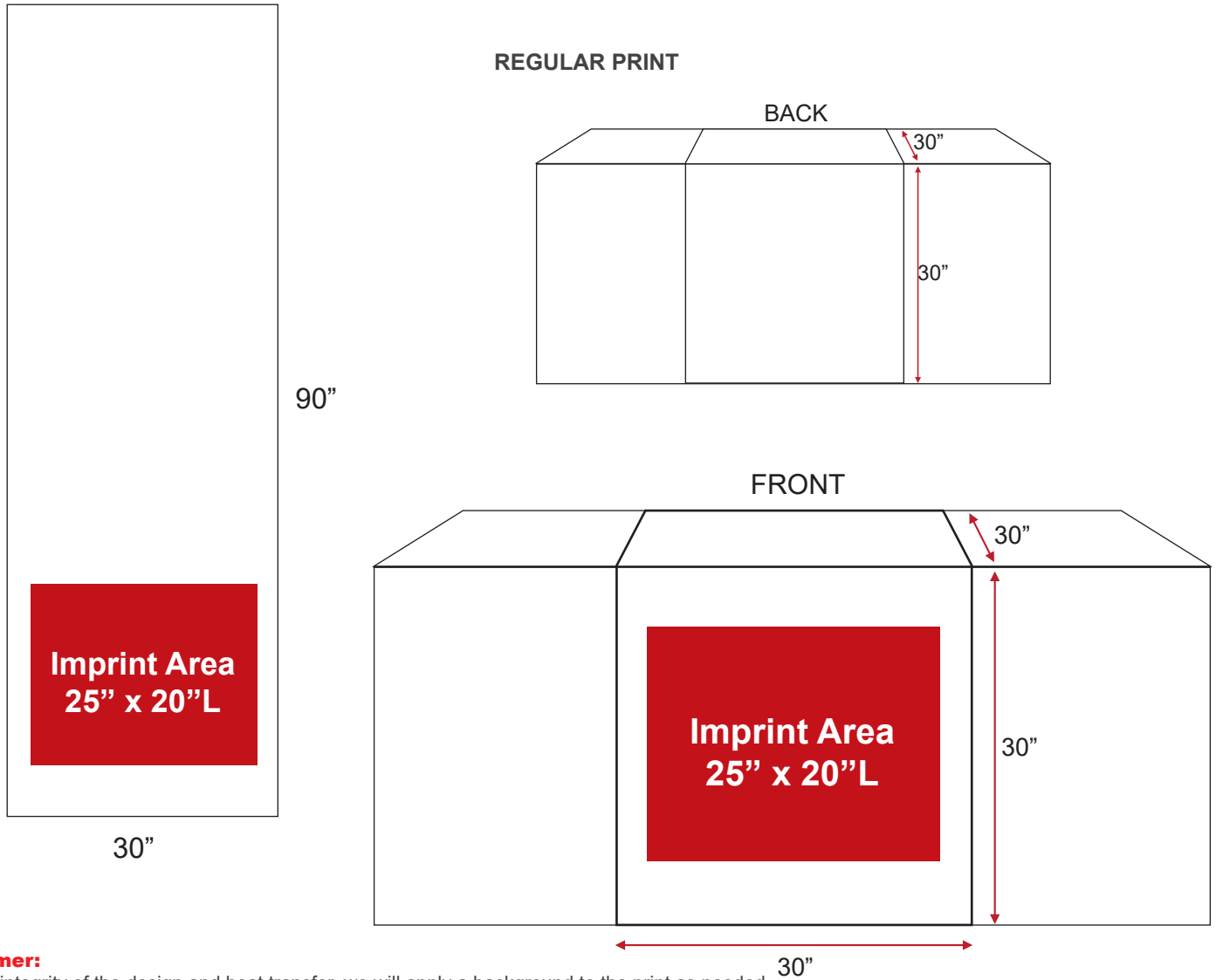


PO#:

ARTWORK APPROVAL SHEET

Imprint Colors:



Disclaimer:

- For the integrity of the design and heat transfer, we will apply a background to the print as needed.
- This background will be similar colour to the product.
- This is done so that the transfer has enough surface area to adhere to the product.
- Applicable to small heat transfers and heat transfers with small / fine art details.
- May not be applicable to large heat transfers.

All images must be embedded. All fonts must be outlined

Imprint Size: _____ Imprint Location: _____ Decoration Type: _____

Product Code: HT725 Product Color: _____ Quantity: _____

Due to the technical aspects of Sublimation and Heat Transfer, we will do our best to match your requested imprint colors and fine art details as closely as possible, but cannot guarantee a 100% perfect match.

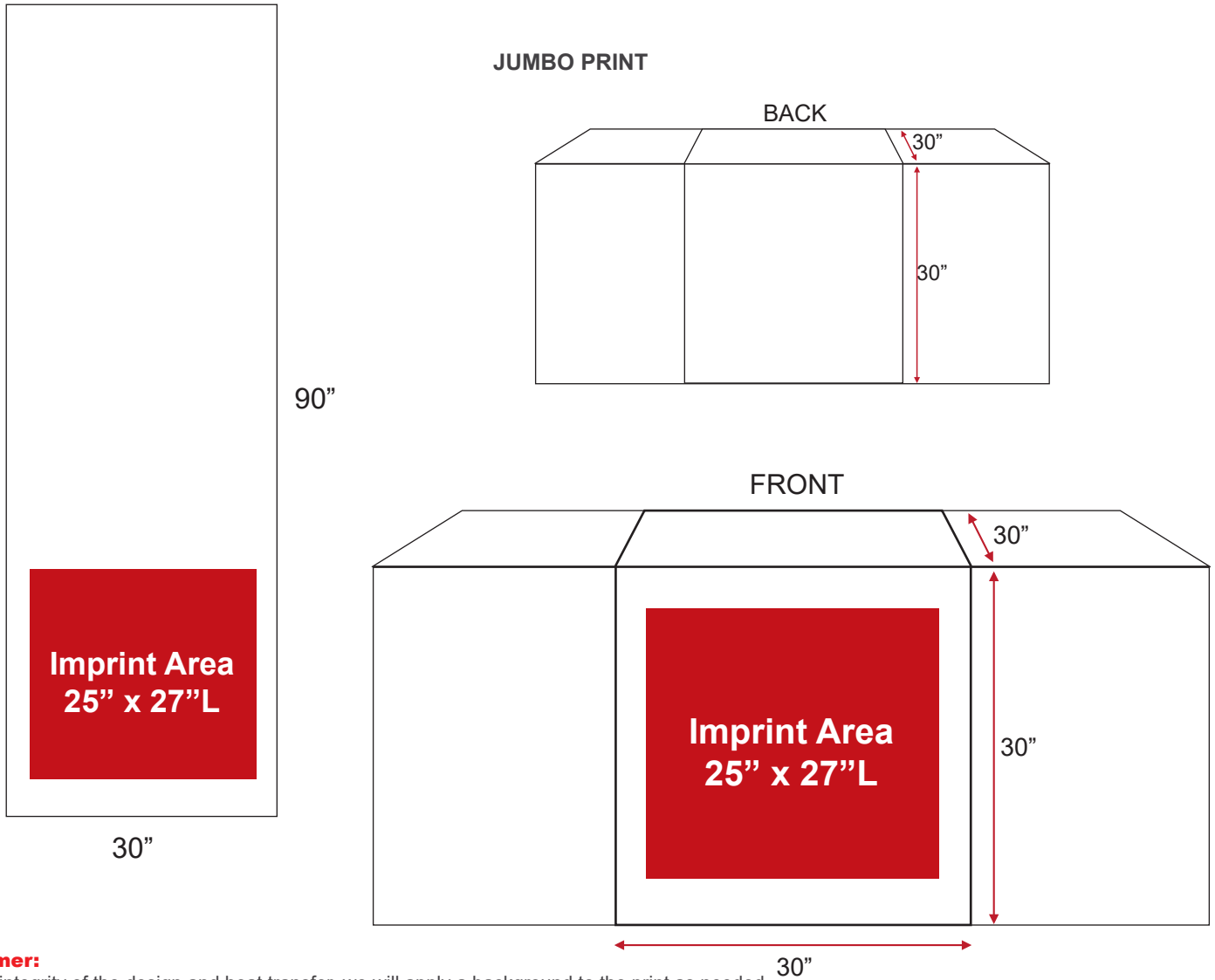
For sublimation orders, there will be variances in design placement and a small percentage of print imperfections. These imperfections may include small blemishes, white marks and colored lint.

The visibility and clarity of very small text/graphic elements in relation to how it is digitally shown cannot be guaranteed due to the nature of the product's textured surface and under the normal limitations of sublimation.

PO#:

ARTWORK APPROVAL SHEET

Imprint Colors:



Disclaimer:

- For the integrity of the design and heat transfer, we will apply a background to the print as needed.
- This background will be similar colour to the product.
- This is done so that the transfer has enough surface area to adhere to the product.
- Applicable to small heat transfers and heat transfers with small / fine art details.
- May not be applicable to large heat transfers.

All images must be embedded. All fonts must be outlined

Imprint Size: _____ Imprint Location: _____ Decoration Type: _____

Product Code: HT725 Product Color: _____ Quantity: _____

Due to the technical aspects of Sublimation and Heat Transfer, we will do our best to match your requested imprint colors and fine art details as closely as possible, but cannot guarantee a 100% perfect match.

For sublimation orders, there will be variances in design placement and a small percentage of print imperfections. These imperfections may include small blemishes, white marks and colored lint.

The visibility and clarity of very small text/graphic elements in relation to how it is digitally shown cannot be guaranteed due to the nature of the product's textured surface and under the normal limitations of sublimation.