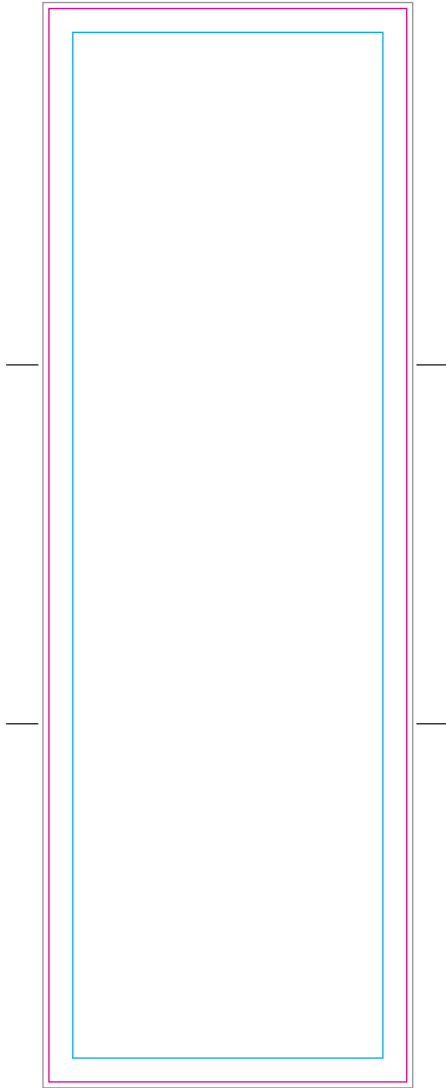


PO#:

# ARTWORK APPROVAL SHEET

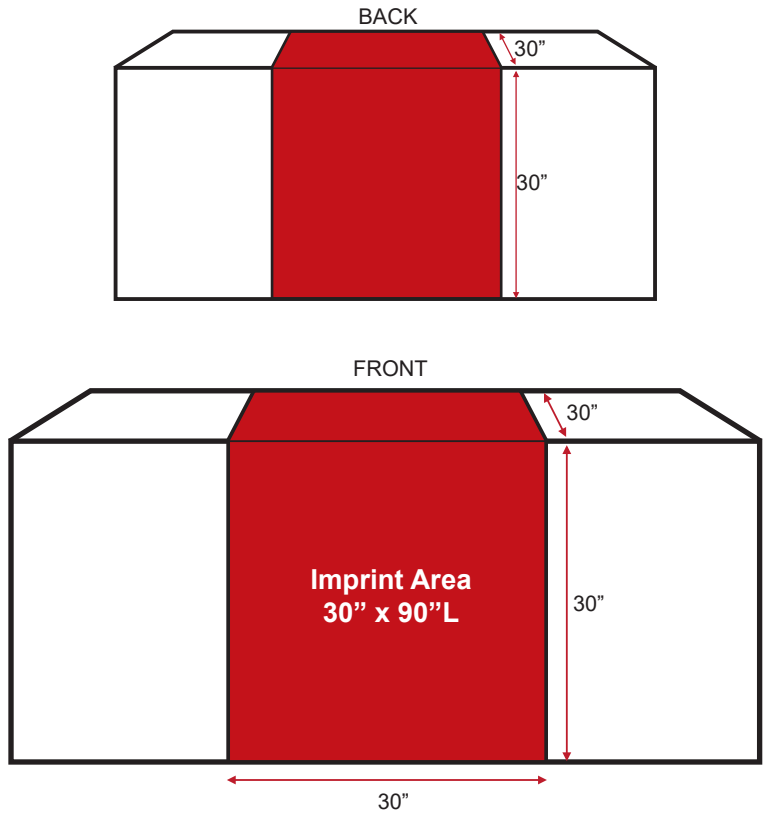
## Imprint Colors:



BLEED AREA - 31"W x 91"H  
NOT VISIBLE WHEN DISPLAYED

FINISHED AREA - 30"W x 90"H  
VISIBLE WHEN DISPLAYED

SAFE AREA - 26"W x 86"H  
KEEP IMPORTANT TEXT/LOGO WITHIN THIS AREA



# TABLECLOTH

All images must be embedded. All fonts must be outlined

Imprint Size: \_\_\_\_\_ Imprint Location: \_\_\_\_\_ Decoration Type: \_\_\_\_\_

Product Code: SU651-3 Product Color: \_\_\_\_\_ Quantity: \_\_\_\_\_

Due to the technical aspects of Sublimation and Heat Transfer, we will do our best to match your requested imprint colors and fine art details as closely as possible, but cannot guarantee a 100% perfect match.

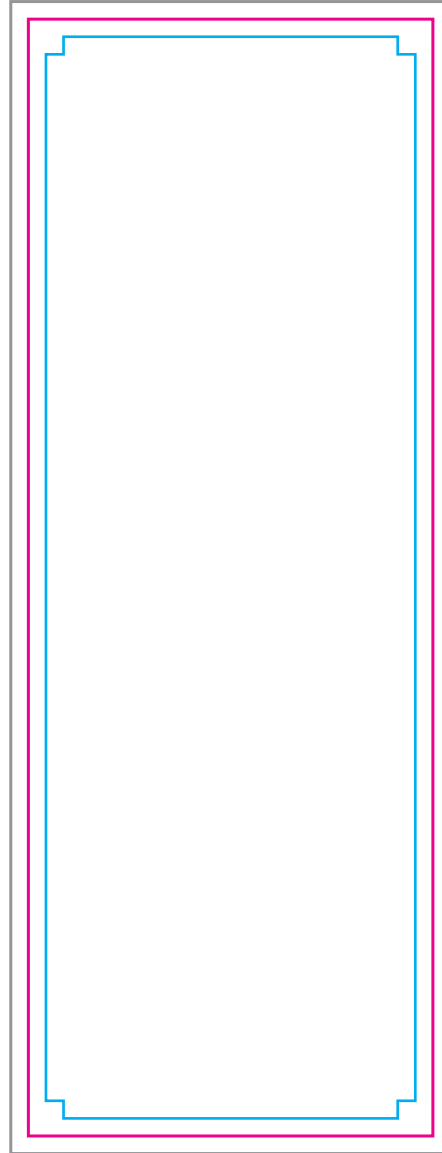
For sublimation orders, there will be variances in design placement and a small percentage of print imperfections. These imperfections may include small blemishes, white marks and colored lint.

The visibility and clarity of very small text/graphic elements in relation to how it is digitally shown cannot be guaranteed due to the nature of the product's textured surface and under the normal limitations of sublimation.

PO#:

# ARTWORK APPROVAL SHEET

Imprint Colors:



BLEED AREA - 25"W x 65.5"H  
NOT VISIBLE WHEN DISPLAYED

FINISHED AREA - 23"W x 63.5"H  
VISIBLE WHEN DISPLAYED

SAFE AREA - 21"W x 61.5"H & 2" Corners for Grommet Placement  
KEEP IMPORTANT TEXT/LOGO WITHIN THIS AREA

# BANNER

All images must be embedded. All fonts must be outlined

Imprint Size: \_\_\_\_\_ Imprint Location: \_\_\_\_\_ Decoration Type: \_\_\_\_\_

Product Code: SU651-3 Product Color: \_\_\_\_\_ Quantity: \_\_\_\_\_

Due to the technical aspects of Sublimation and Heat Transfer, we will do our best to match your requested imprint colors and fine art details as closely as possible, but cannot guarantee a 100% perfect match.

For sublimation orders, there will be variances in design placement and a small percentage of print imperfections. These imperfections may include small blemishes, white marks and colored lint.

The visibility and clarity of very small text/graphic elements in relation to how it is digitally shown cannot be guaranteed due to the nature of the product's textured surface and under the normal limitations of sublimation.